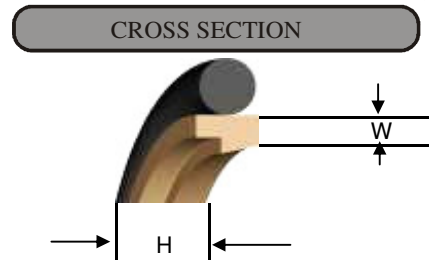
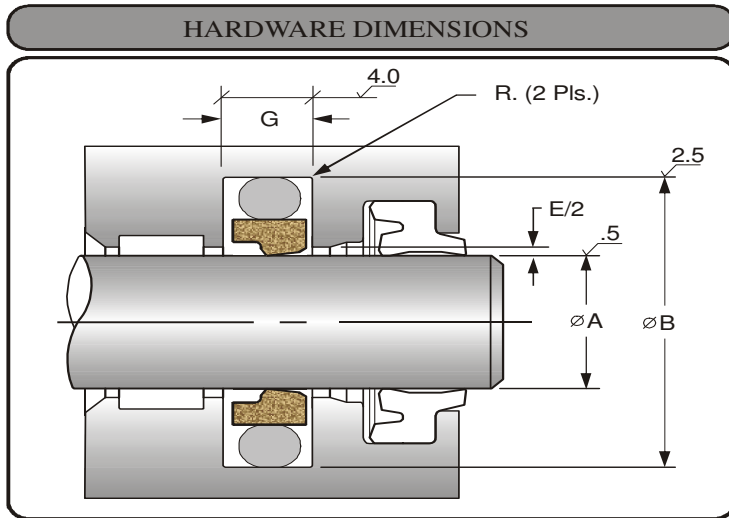


ROD BUFFER SEAL 2 PC METRIC SERIES



SEAL INFORMATION

- ▶ **Pressure:** 350 bar
- ▶ **Temperature:** -40 to 120C°
- ▶ **Velocity:** 4 M-Sec
- ▶ **Material:** 40% Bronze Filled PTFE with NBR o-ring.

Cross Section	Ø A h9 ⁽¹⁾		Ø B H9 ⁽¹⁾		G	R	E Maximum		
	Rod Diameter		Groove Diameter				Width	Radius (Max)	Diametrical Clearance with bearings
Series			Groove Standard						
			Primary	Alternate			100 bar	200 bar	400 bar
RS0M	3.00 -	18.90	Ø A + 5.00	Ø A + 4.90	2.20 / 2.40	.30	.50	.40	.30
RS1M	3.00 -	37.90	Ø A + 7.50	Ø A + 7.30	3.20 / 3.40	.50	.60	.50	.30
RS2M	8.00 -	199.90	Ø A + 11.00	Ø A + 10.70	4.20 / 4.40	.70	.70	.50	.40
RS3M	19.00 -	255.90	Ø A + 15.50	Ø A + 15.10	6.30 / 6.50	1.20	.80	.60	.40
RS4M	38.00 -	649.90	Ø A + 21.00	Ø A + 20.50	8.10 / 8.30	1.50	1.10	.80	.50
RS5M	200.00 -	999.90	Ø A + 24.50	Ø A + 24.50	8.10 / 8.30	1.50	1.10	.80	.50

The seller renders all technical advice, recommendations and services gratis. They are based on technical data, which the seller believes to be reliable, and intended for use by persons having skill and know-how, at their own discretion and risk. Seller assumes no responsibility for results obtained or damages incurred from their use in whole or in part. It is the user's responsibility to test the products presented herein to determine the suitability for their particular application.

ROD BUFFER SEAL 2 PC METRIC



PART NUMBER	Ø A	Ø B	Groove	G	SEAL (REF)		O-RING
	ROD	DIAMETER		WIDTH	W	H	
RS2M0200NBR	20.00	31.00		4.20 / 4.40	2.70	4.00	-213
RS2M0220NBR	22.00	33.00					-215
RS2M0250NBR	25.00	36.00					-217
RS2M0280NBR	28.00	39.00					-219
RS2M0300NBR	30.00	41.00					-220
RS2M0320NBR	32.00	43.00					-221
RS2M0350NBR	35.00	46.00					-222
RS2M0360NBR	36.00	47.00					-223
RS2M0400NBR	40.00	51.00					-224
RS2M0450NBR	45.00	56.00					-226
RS2M0500NBR	50.00	61.00					-227
RS2M0550NBR	55.00	66.00					-229
RS2M0560NBR	56.00	67.00					-229
RS2M0600NBR	60.00	71.00					-230
RS2M0630NBR	63.00	74.00		4.20 / 4.40	2.70	4.00	-231
RS3M0400NBR	40.00	55.50		6.30 / 6.50	3.65	5.90	-327
RS3M0420NBR	42.00	57.50					-328
RS3M0450NBR	45.00	60.50					-329
RS3M0480NBR	48.00	63.50					-330
RS3M0500NBR	50.00	65.50					-331
RS3M0520NBR	52.00	67.50					-331
RS3M0550NBR	55.00	70.50					-332
RS3M0560NBR	56.00	71.50					-333
RS3M0600NBR	60.00	75.50					-334
RS3M0630NBR	63.00	78.50					-335
RS3M0650NBR	65.00	80.50					-335
RS3M0700NBR	70.00	85.50					-337
RS3M0750NBR	75.00	90.50					-339
RS3M0800NBR	80.00	95.50					-340
RS3M0850NBR	85.00	100.50					-342
RS3M0900NBR	90.00	105.50					-343
RS3M0950NBR	95.00	110.50					-345
RS3M1000NBR	100.00	115.50					-347
RS3M1050NBR	105.00	120.50					-348
RS3M1100NBR	110.00	125.50					-350
RS3M1150NBR	115.00	130.50					-351
RS3M1200NBR	120.00	135.50					-353
RS3M1250NBR	125.00	140.50					-354

ROD BUFFER SEAL 2 PC METRIC



	Ø A	Ø B	Groove	G	SEAL (REF)		
PART NUMBER	ROD	DIAMETER		WIDTH	W	H	O-RING
RS3M1300NBR	130.00	145.50					-356
RS3M1350NBR	135.00	150.50					-358
RS3M1400NBR	140.00	155.50					-359
RS3M1450NBR	145.00	160.50					-361
RS3M1500NBR	150.00	165.50					-361
RS3M1550NBR	155.00	170.50					-362
RS3M1600NBR	160.00	175.50					-363
RS3M1650NBR	165.00	180.50					-364
RS3M1700NBR	170.00	185.50					-365
RS3M1800NBR	180.00	195.50					-366
RS3M1900NBR	190.00	205.50					-368
RS3M2000NBR	200.00	215.50		6.30 / 6.50	3.65	5.90	-369
RS4M2000NBR	200.00	221.00		8.10 / 8.30	4.90	7.50	-445
RS4M2200NBR	220.00	241.00					-447
RS4M2400NBR	240.00	261.00					-448
RS4M2500NBR	250.00	271.00		8.10 / 8.30	4.90	7.50	-449

Call for price and availability