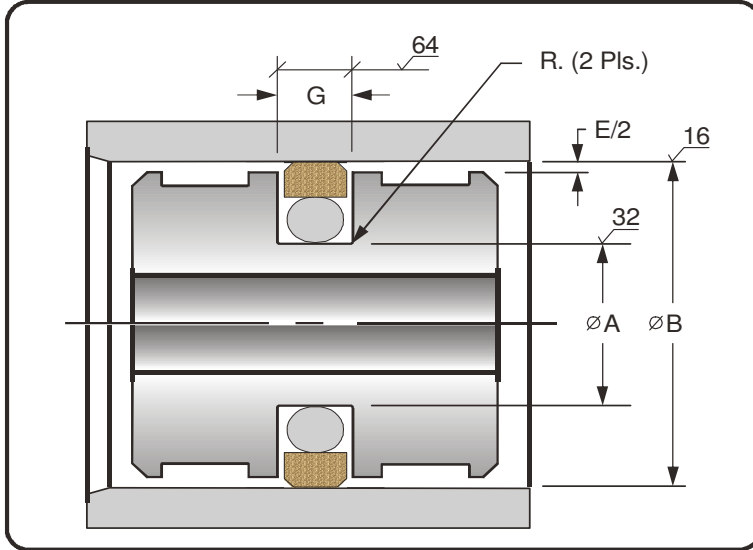
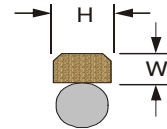


PSA PISTON SEAL 2PC INCH

HARDWARE DIMENSIONS



CROSS SECTION



SEAL INFORMATION

- ▶ **Pressure:** 5,000 psi
- ▶ **Temperature:** -40 to 250F°
- ▶ **Velocity:** 12 Ft / Sec
- ▶ **Material:** 40% Bronze filled PTFE with NBR o-ring

Cross Section	Ø B H9 ⁽¹⁾		Ø A h9 ⁽¹⁾		G	R	E Maximum		
	Bore Diameter		Groove Diameter				Groove Width	Radius	Diametrical Clearance with bearings
Series						+0.005 / -.005	1,000 psi	3,000 psi	5,000 psi
PSA0	.500 -	2.000	Ø B -	.174	.081 / .091	.015	.020	.015	.012
PSA1	1.000 -	5.000	Ø B -	.298	.126 / .136	.020	.030	.025	.016
PSA2	1.500 -	8.000	Ø B -	.424	.166 / .171	.025	.035	.030	.016
PSA3	3.000 -	12.000	Ø B -	.616	.247 / .252	.035	.045	.035	.020
PSA4	5.500 -	18.000	Ø B -	.803	.320 / .325	.045	.050	.040	.024
PSA5	5.500 -	20.000	Ø B -	.968	.320 / .325	.045	.050	.040	.024

The seller renders all technical advice, recommendations and services gratis. They are based on technical data, which the seller believes to be reliable, and intended for use by persons having skill and know-how, at their own discretion and risk. Seller assumes no responsibility for results obtained or damages incurred from their use in whole or in part. It is the user's responsibility to test the products presented herein to determine the suitability for their particular application.

Power Seal International, LLC
 Phone: (248)537-1103 Fax: (248)658-6390

PSA PISTON SEAL 2PC INCH

PART NUMBER	BORE	GROOVE		SEAL (REF)		O-RING
		DIAMETER	WIDTH	W	H	
PSA201500NBR	1.500	1.076	.166 / .171	.100	.153	-215
PSA201750NBR	1.750	1.362				-219
PSA202000NBR	2.000	1.576				-223
PSA202250NBR	2.250	1.826				-225
PSA202500NBR	2.500	2.076				-227
PSA202750NBR	2.750	2.326				-229
PSA203000NBR	3.000	2.576				-231
PSA203250NBR	3.250	2.826				-233
PSA203500NBR	3.500	3.076				-235
PSA203750NBR	3.750	3.326				-237
PSA204000NBR	4.000	3.576				-238
PSA204250NBR	4.250	3.826				-241
PSA204500NBR	4.500	4.076				-243
PSA204750NBR	4.750	4.326				-245
PSA205000NBR	5.000	4.576	.166 / .171	.100	.153	-247
PSA302750NBR	2.750	2.134	.247 / .252	.136	.232	-330
PSA303000NBR	3.000	2.384				-332
PSA303250NBR	3.250	2.634				-334
PSA303375NBR	3.375	2.759				-335
PSA303500NBR	3.500	2.884				-336
PSA303750NBR	3.750	3.134				-338
PSA304000NBR	4.000	3.384				-340
PSA304250NBR	4.250	3.634				-342
PSA304500NBR	4.500	3.884				-344
PSA304625NBR	4.625	4.009				-345
PSA304750NBR	4.750	4.134				-346
PSA305000NBR	5.000	4.384				-348
PSA305250NBR	5.250	4.634				-350
PSA305500NBR	5.500	4.884				-352
PSA305750NBR	5.750	5.134				-354
PSA306000NBR	6.000	5.384				-356
PSA306500NBR	6.500	5.884				-360
PSA307000NBR	7.000	6.384				-362
PSA307500NBR	7.500	6.884				-364
PSA308000NBR	8.000	7.384	.247 / .252	.136	.232	-366

Power Seal International, LLC
 Phone: (248)537-1103 Fax: (248)658-6390

PSA PISTON SEAL 2PC INCH

PART NUMBER	BORE	GROOVE		SEAL (REF)		O-RING			
		DIAMETER	WIDTH	W	H				
PSA405500NBR	5.500	4.670	.320 / .325	.187	.299	-426			
PSA405750NBR	5.750	4.920	↑ ↓	↑ ↓	↑ ↓	-428			
PSA406000NBR	6.000	5.170				-430			
PSA406250NBR	6.250	5.420				-432			
PSA406500NBR	6.500	5.670				-434			
PSA407000NBR	7.000	6.170				-437			
PSA407500NBR	7.500	6.670				-439			
PSA408000NBR	8.000	7.170				-441			
PSA408500NBR	8.500	7.670				-443			
PSA409000NBR	9.000	8.170				-445			
PSA409500NBR	9.500	8.670				-446			
PSA410000NBR	10.000	9.170				-447			
PSA412000NBR	12.000	11.170				-451			
PSA414000NBR	14.000	13.170				-455			
PSA416000NBR	16.000	15.170				.320 / .325	.187	.299	-459

Call for price and availability

Power Seal International, LLC
 Phone: (248)537-1103 Fax: (248)658-6390